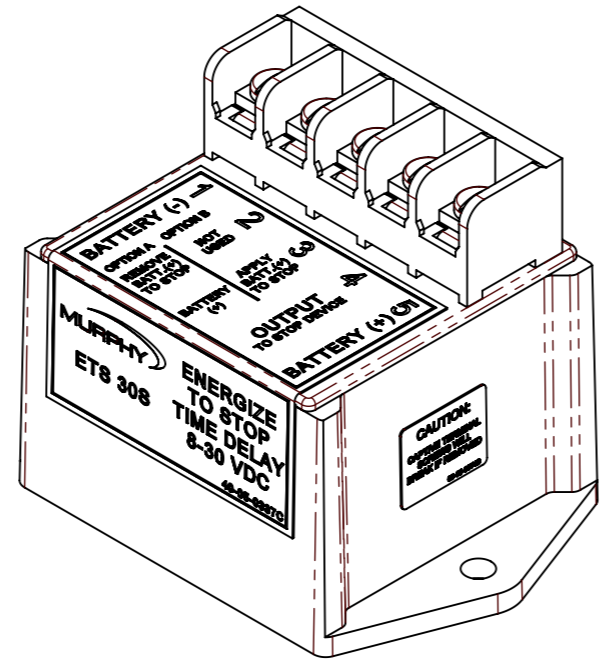
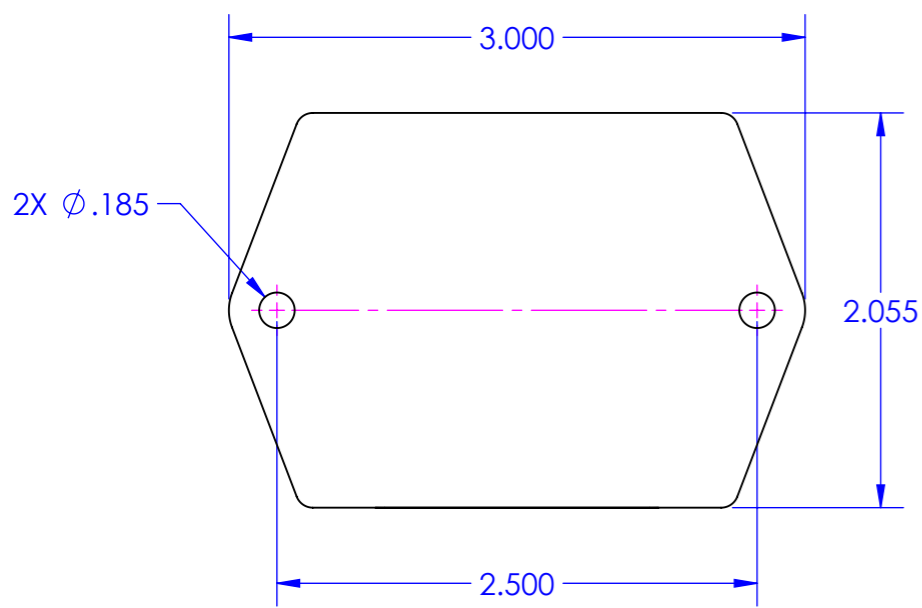
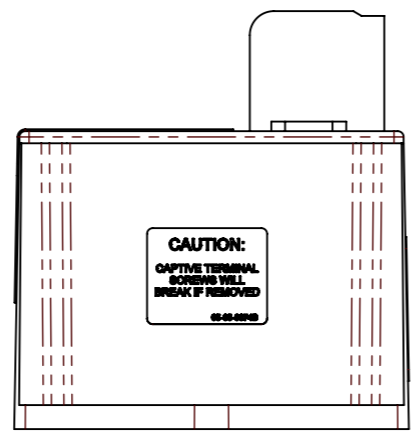
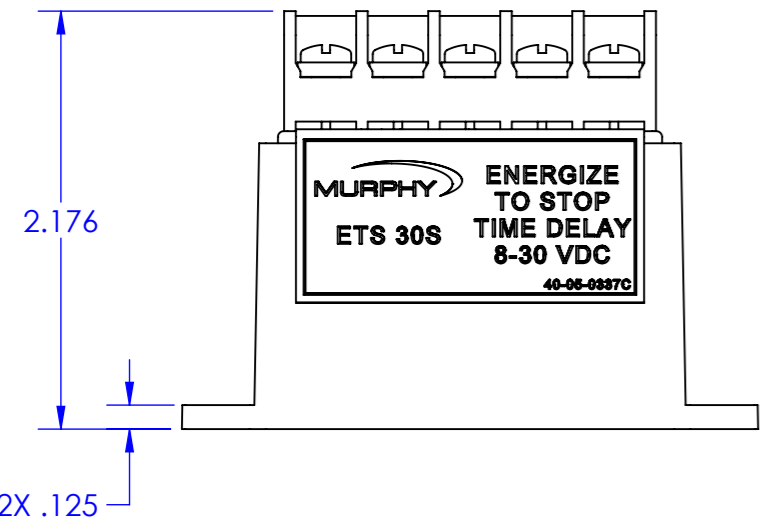
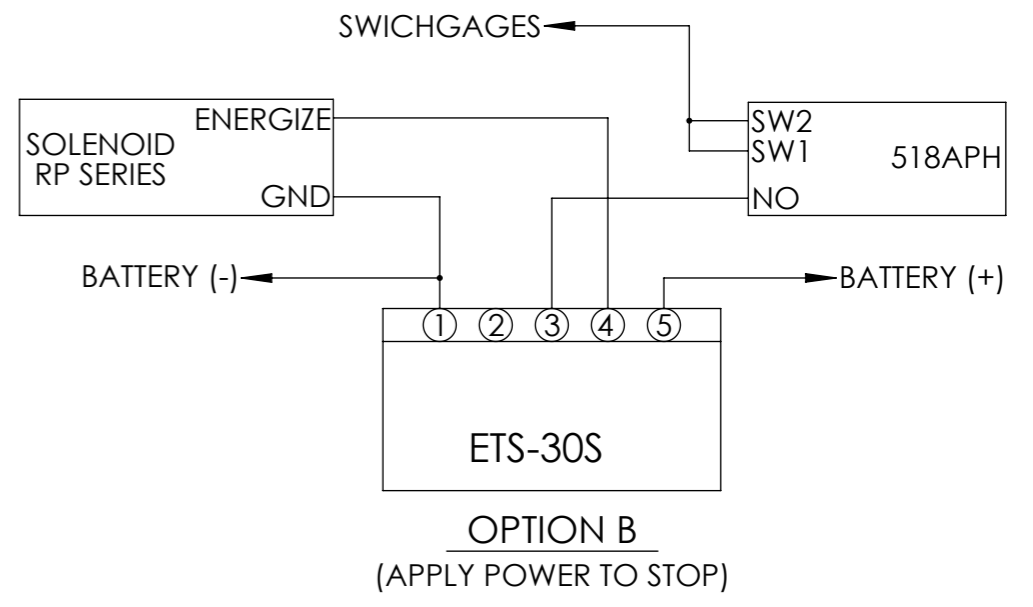
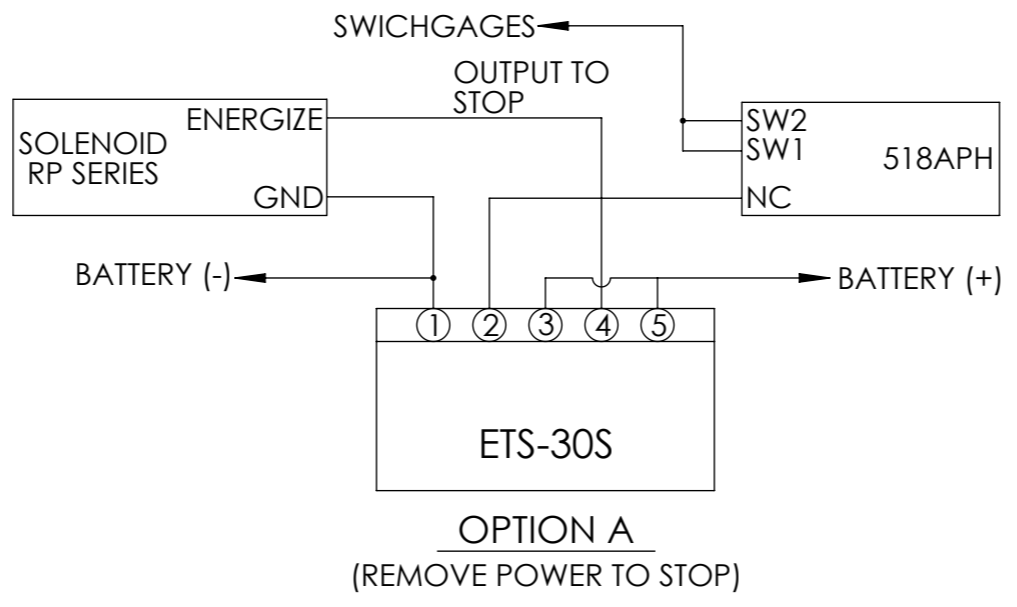
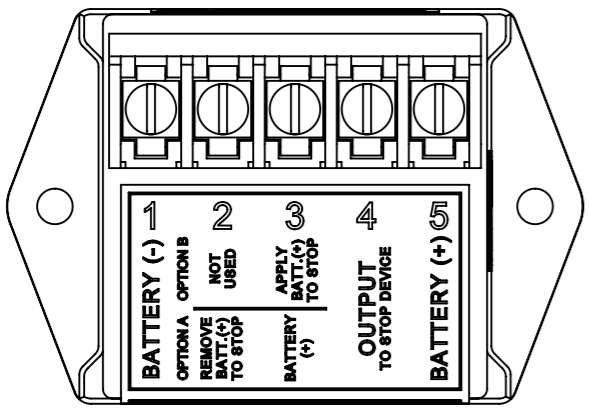


PROPRIETARY and CONFIDENTIAL This document, including the information hereon, is the property of ENOVATION CONTROLS, INC., its subsidiaries, and/or affiliates (hereinafter "ENOVATION CONTROLS"). It may be used only to purchase or supply goods and/or services relative to ENOVATION CONTROLS and must be returned upon ENOVATION CONTROLS request. It is CONFIDENTIAL and must be maintained in confidence. It may not be reproduced, copied or have other items prepared therefrom and may not be disclosed to others, in whole or in part, without ENOVATION CONTROLS prior written consent. ALL RIGHTS RESERVED.

ZONE		REV.	ECO#	DESCRIPTION	DATE (YYYY.MM.DD)
-	C-		TU-151217-02	REVISED AND REDRAWN	2015.12.21

REVISIONS



NOTES:

- DIMENSIONS ARE FOR REFERENCE ONLY.
- INPUT VOLTAGE: 8-30 VDC.
- CURRENT RATING: 40mA MAX. STAND BY
- CURRENT RATING: 80A (COIL ENERGIIZE), 1A (COIL HOLD).
- 30 SECOND DELAY IS STANDARD (ETS-30S).
- PROVIDE EXTERNAL CIRCUIT PROTECTION (FUSE) FOR ALL CONNECTIONS TO BATTERY (+).

OPTION A:

WHEN POWER IS REMOVED FROM TERMINAL NO. 2 OF THE ETS-30S, POWER IS APPLIED TO THE ENERGIIZE TO STOP DEVICE FOR 30 SECONDS, THEN REMOVED.

OPTION B:

WHEN POWER IS APPLIED TO TERMINAL NO. 3 OF THE ETS-30S, POWER IS APPLIED TO THE ENERGIIZE TO STOP DEVICE FOR 30 SECONDS, THEN REMOVED. POWER MUST BE TURNED OFF FOR MORE THAN 1 MINUTE BEFORE NEXT OPERATING CYCLE.

UNLESS OTHERWISE SPECIFIED PRODUCE PART FROM CAD MODEL 25020257.SLDASM, ALL NON-TOLERANCED DIMENSIONS ARE BASIC TO THE CAD MODEL. REFER TO THE DRAWING FOR ASSOCIATED TOLERANCES, DATUMS AND FEATURE CONTROLS.		DO NOT SCALE DRAWING. DIMENSIONING AND TOLERANCING PER ASME Y14.5 - 2009 APPLY.	INCH	
DESCRIPTION ETS-30S, SELECTRONIC		PART NUMBER 25020257	DRAWING NUMBER 25-02-0257	
APPROVALS	DATE (YYYY.MM.DD)	REVISION		
ENGINEER R. KARPIO	2016.01.04	<div style="border: 1px solid black; padding: 5px; display: inline-block;">C-</div>		
DRAWN J. PRUITT	2015.12.21			
APPROVED 1 L. SQUIER	2016.01.04			
APPROVED 2 J. NGUYEN	2016.01.05			
SCALE 1:1 AND NOTED		SHEET SIZE A3	SHEET 1 OF 1	